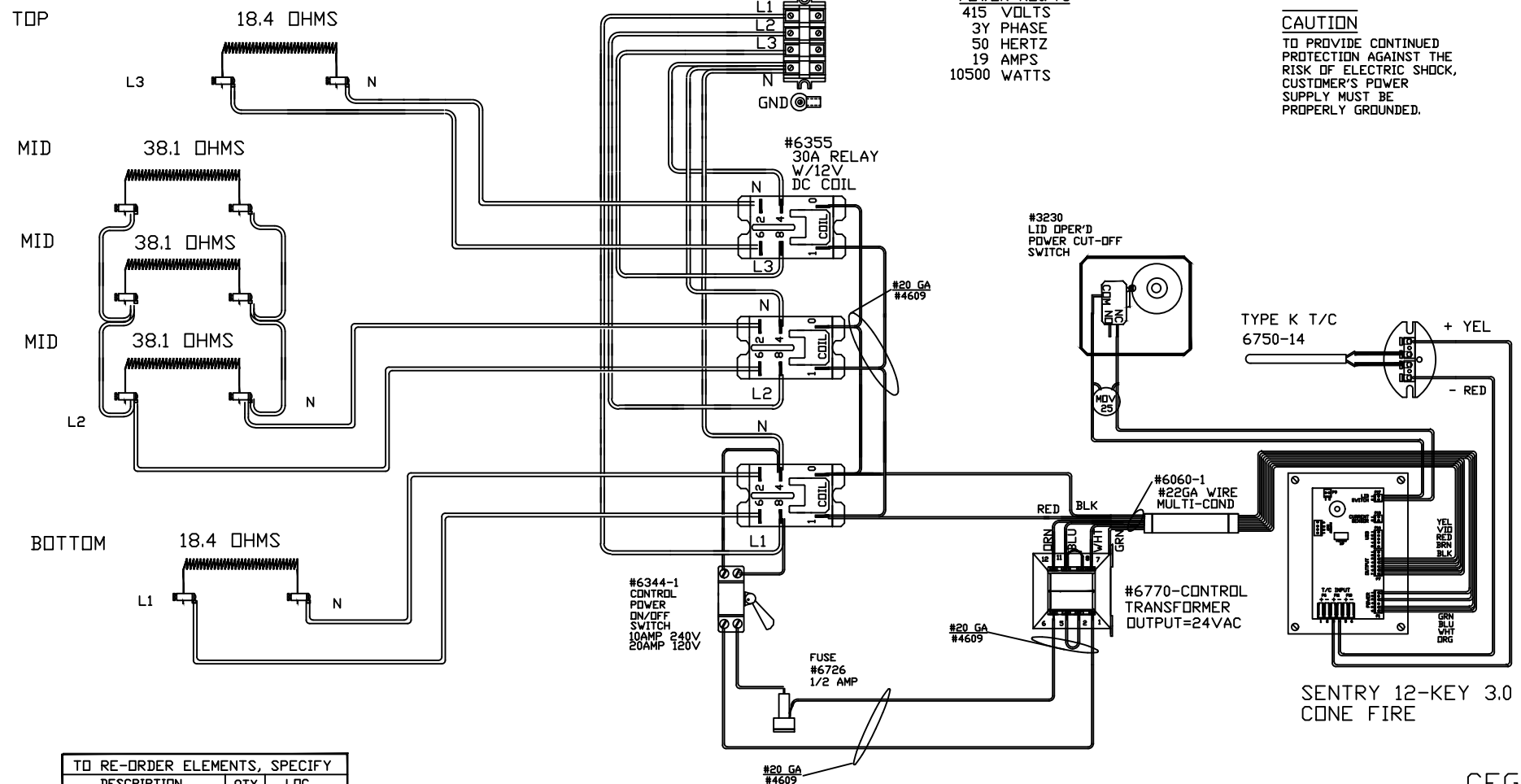


WIRING NOTE
 ALL WIRES #14 AWG,
 TYPE SEW/SF2 MINIMUM
 UNLESS OTHERWISE NOTED

TERM BLK-OUTER-4156
 INNER -4157
 GRND -4185

POWER REQ'TS
 415 VOLTS
 3Y PHASE
 50 HERTZ
 19 AMPS
 10500 WATTS

CAUTION
 TO PROVIDE CONTINUED
 PROTECTION AGAINST THE
 RISK OF ELECTRIC SHOCK,
 CUSTOMER'S POWER
 SUPPLY MUST BE
 PROPERLY GROUNDED.



TO RE-ORDER ELEMENTS, SPECIFY		
DESCRIPTION	QTY	LOC
EL018.41143-108	2	TOP&BOT
EL038.11173-108	3	MIDDLE

SENTRY 12-KEY 3.0
 CONE FIRE

CFG 21
 1288°F
 2350°F
 PAINT BLUE

CE APPROVED

NOTE: PLEASE REFER
 TO THIS NUMBER WHEN
 ORDERING PARTS FOR
 THIS KILN

REV	DATE	BY	DESCRIPTION
-	4/4/13	DTB	
A	5/21/20	BLS	UPDATED 12-KEY

SWITCH BOX ASSY- 42053-45

PARAGON INDUSTRIES
 2011 SOUTH TOWN EAST BLVD
 MESQUITE, TEXAS 75149

WIRING DIAGRAM

415V, 3 PH Y, 50HZ, 10500WATTS

PART NO 72B2211ACD

IGUANA SEN C,SF

REV -
 FILE